

# IMP120J

## SELF-PROPELLED AERIAL WORK PLATFORM

# Mantall®



### Standard Features

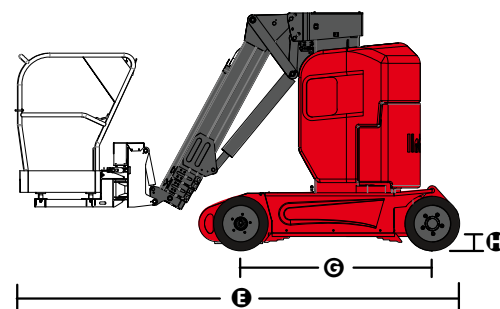
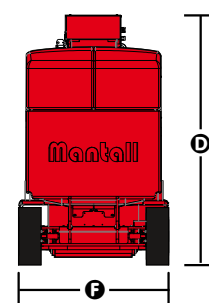
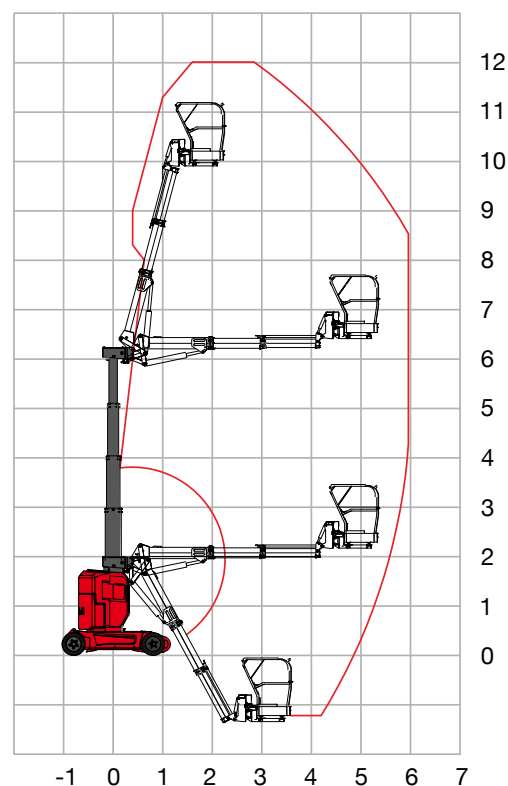
- 345 degree discontinuous rotation
- Jib swing:-60 degree/+75 degree
- Platform swing:left 45 degree/right 45 degree
- Non-marking rubber tires (size 457\*178\*308)
- 2.5 degree tilt alarm
- Lifting ears (4 pieces)
- Hour meter
- Proportional control
- Horn
- Fault diagnosis system
- Automatic brake system
- Explosion-proof of the oil tube
- Manual brake release
- Overload sensor
- Platform foot switch
- Emergency lowering down system

### Options Features

- Handheld fault diagnostics
- Air line to the platform
- Platform working light
- AC power to the platform
- Tool Bracket
- All Motion Alarm
- Top limit Protection Auto-stop device
- Maintenance free battery
- Fiberglass platform

# IMP120J

Model	IMP120J
Max. Working height	12 m
Max. Platform height	10 m
Lift Capacity	200 kg
Max. Outreach	6 m
Max. Up and Over height	5.9 m
Platform size ( LxWxH)	1.1 x 0.8 x 1.1 m
Stowed Size $\text{E} \times \text{F} \times \text{D}$	4.03 x 1.2 x 1.99 m
Wheelbase $\text{G}$	1.6 m
Ground clearance $\text{H}$	0.12 m
Ground clearance - deployed potholes	0.74 m
Min. Turning radius-(inside)	0.75 m
Min. Turning radius-(outside)	2.6 m
Driving speed-stowed	6 km/h
Turntable rotation	345°
Jib Swing	-60° / +75°
Platform Swing	left and right 45°
Gradeability	25%
Max. tilt angle	2.5°
Tire Size	457 x 178 x 308
Total weight	4770 kg



» The Mantall IMP120J has a maximum working height of 12 meters and a load capacity of 200KG. IMP120J can be used in multiple dimensions in a narrow space.

» The maximum working radius is 6 meters and can be used under -1 meter working conditions. The maximum span height is 5.9 meters. The inner diameter of the rotation is 0.75 meters: the rotary table can be flexibly rotated by 345 degrees, and the rotation of the platform is  $\pm 45$  degrees.

» The arm swings up and down: -60 degrees / +75, machine body width is only 1.2 meters, which makes the user's working range significantly increased. The IMP120J uses AC motor drive to greatly reduce the maintenance cost of the user. With 30% climbing ability, driving 6 kilometers per hour, mobile transportation is very convenient. With a stable control system, the company can operate multiple actions at the same time, effectively improving user productivity.

» The IMP120J uses an electric automatic leveling system to make the user feel more stable and safe. The MP120J's tilting, overloading and other security protection systems allow users to use the device in a safe situation.