

HT200/215J

SELF-PROPELLED TELESCOPIC BOOMS

Mantall®

Standard Features

- Self-levelling platform
- Hydraulic rotation platform
- Hall effect fully proportional controls
- Driving confirm
- AC wiring to platform
- 360° Turntable rotation
- Horn
- Hour meter
- Tilt alarm
- Positive traction drive
- Dual Speed motor
- Emergency pump
- CAN intelligent control
- Overload sensor
- Engine restart protection
- Automatic engine failure shutdown
- Spin out engine tray

Options Features

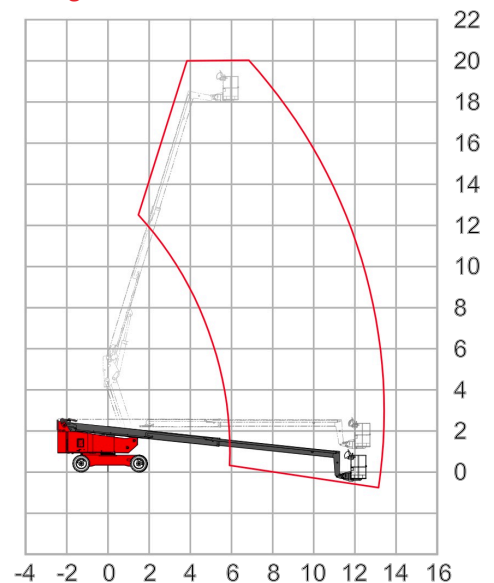
- Platform swing gate
- Platform alternate leverage
- Welder connecting packages
- Welder wire connecting to the platform
- Airline to platform
- Hydraulic oil cooler
- Hydraulic oil for extremely cold areas
- Pipeline for extremely cold area
- Hostile environment packages
- Anti-crash air packages
- Tool tray
- Alarm packages
- Platform work lights
- Front driving light
- Traction packages
- AC power source
- Preheater
- Cold start components
- AC generator set
- Diesel exhaust gas purification muffler
- Diesel Fireproof Star Silencer
- Air pre filter



HT200/215J

MODEL	HT200	HT215J
Max. Working height	20 m	21.5 m
Max. Platform height	18 m	19.5 m
Max. Outreach	13.4 m	14.65 m
Max. Lift capacity	230 kg	
Platform size B x C x A	1.8 x 0.76 x 1.1 m	
Height - stowed D	2.5 m	
Length - stowed E	9.5 m	10.6 m
Width F	2.5 m	
Wheelbase G	2.8 m	
Ground clearance H	0.3 m	
Turntable rotation	360°	
Turntable tailswing	1.2 m	
Platform rotation	180°	
Jib Swing	/	130°(+75°/-55°)
Drive speed - stowed	5.1 km/h	
Drive speed - raised	1 km/h	
Gradeability	45%	
Min. Turning radius-(inside)	2.9 m	
Min. Turning radius-(outside)	6.15 m	6.12 m
Drive wheels number	4	
Steering wheel number	2	
Controls	Electro Hydraulic proportional control	
System voltage	DC 12V	
Hydraulic tank capacity	150 L	
Fuel tank capacity	100 L	
Tire size	36 x 14-20 Rubber solid tires	
Power	Cummins engine QSF2.8T3 43kw	
Total weight (4WD)	9375 kg	9510 kg

Range of motion HT200



Range of motion HT215J

